

- 00299-WH: with 4X3W White high power LED.
- 00299-BU: with 4X3W Blue high power LED.
- 00299-GN: with 4X3W Green high power LED.
- 00299-GW: with 2X3W Green and 2X3W White high power LED.
- 00299-BW: with 2X3W Blue and 2X3W White high power LED.
- 00299-BG: with 2X3W Blue and 2X3W Green high power LED.
- 00299-6WH: with 6X3W White high power LED.
- 00299-6BU : with 6X3W BU high power LED.

207604
207605
SPECIFICATION



sea point marine equipment a/s
marineworld
Stat-Ene-Vej 68, Tietgenbyen
DK-5220 Odense SØ - Denmark
Tlf. +45 6612 5500
Fax: +45 6612 5548

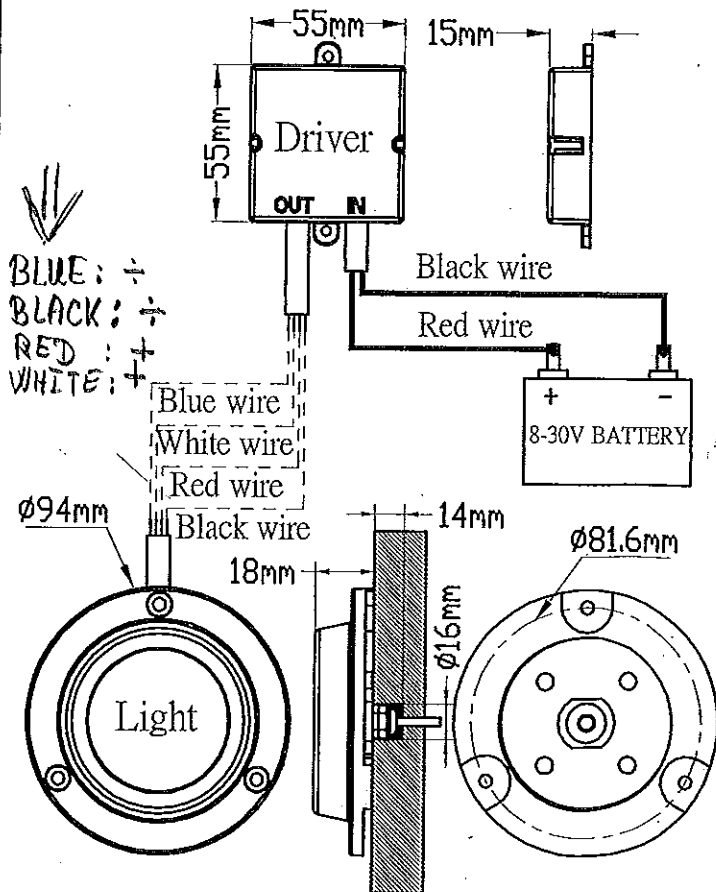
Housing description: Made of SS316

Operating voltage: DC 10-30 Volts

INSTALLATION INSTRUCTION

1. This light is designed with water cooling system, DO NOT obstruct the water cooling passages behind the light. MUST BE installed under waterline and used only when SUBMERGED.
2. For 3 mounting holes, drill 9/64" diam. x 1/2" deep & countersink 1/4", fill up the countersinks with sealant
3. For wire passage hole, drill 16mm diam. x 14mm deep, in the center of this hole drill 1/4" hole through the transom.
4. In the back of the light, overfill the cup around the wire with sealant and slide the wire through the transom. Do not put sealant outside of the cup.
5. Place the light over the holes and push slowly to allow the sealant to fill the center hole in the transom, then tight the 3 screws.

WIRING DIAGRAM for
00299-WH/00299-BU/00299-GN
00299-6BU/ 00299-6WH



WIRING DIAGRAM for
00299-GW/00299-BW
00299-BG

