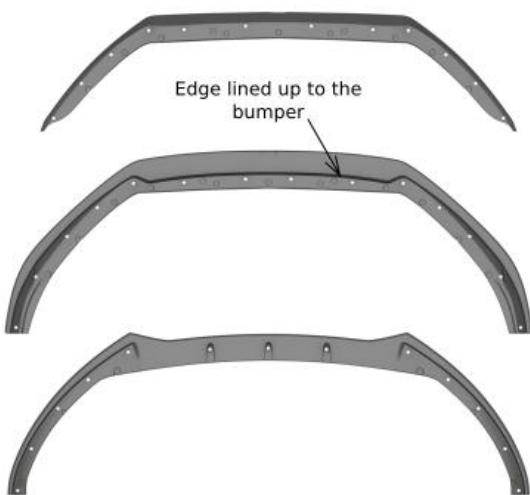


Set includes:

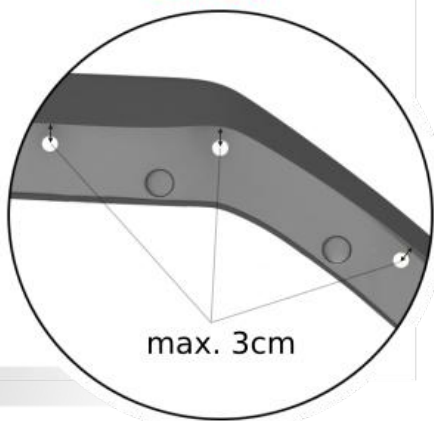
- Front Splitter
- 14x bolt m6
- 14x secure nut m6
- 14x washer m6
- Installation manual



Always match the splitter to the bumper to make sure it fits before the installation.



WARNING !
We strongly recommend to leave the installation to the specialists. Splitter not mounted properly may fall off and cause serious damage.



1. Check the fitting:

Line up the splitter to the bumper's bottom. Level splitter's edges with the bumper's edges, near the wheels on both sides.

(fitting should be done by two individuals)

2. Mark drilling points:

With levelled splitter (pt.1) mark the points through the splitter and the bumper every 15-20cm.

Use 6mm drill to make holes where the splitter connects with the bumper.

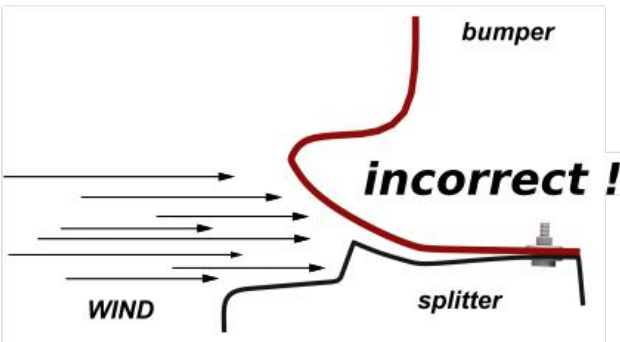
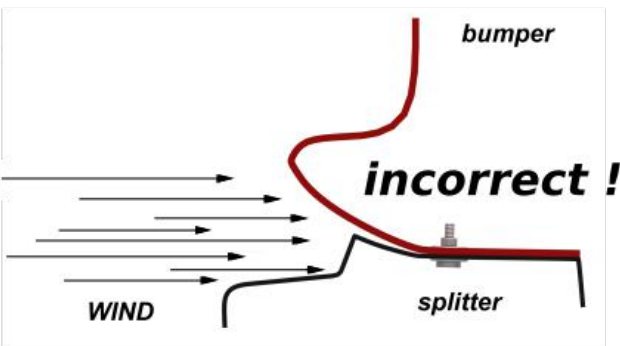
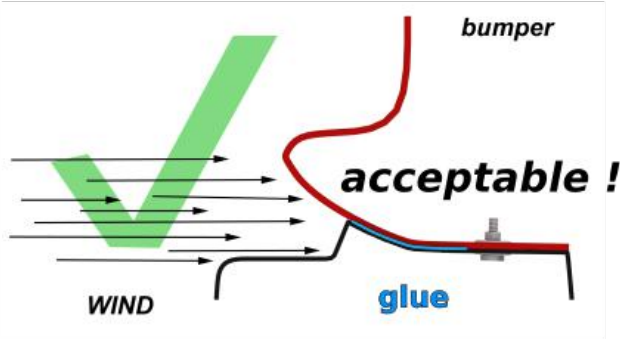
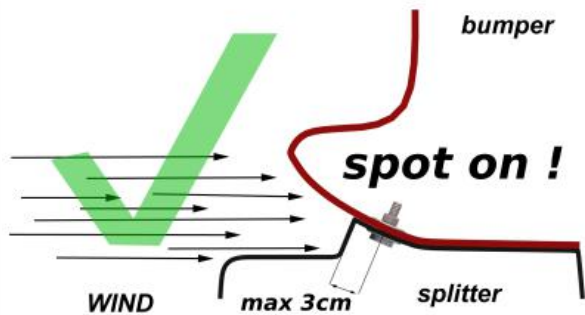
3. Install the splitter:

Insert enclosed screws through the drilled holes in the splitter and the bumper. Add nuts to secure.

IMPORTANT !

You need to use polyethylene glue if the gap between splitter's edge adjoining bumper and drilled hole is more than 3cm.

Glue needs to dry for minimum of 24h before driving.



BEST WAY TO INSTALL SPLITTER

If drilling point is further than 3 cm from adjoining edge add glue into the front gap.

Wind could cause the splitter's damage if the bolt is not installed correctly.