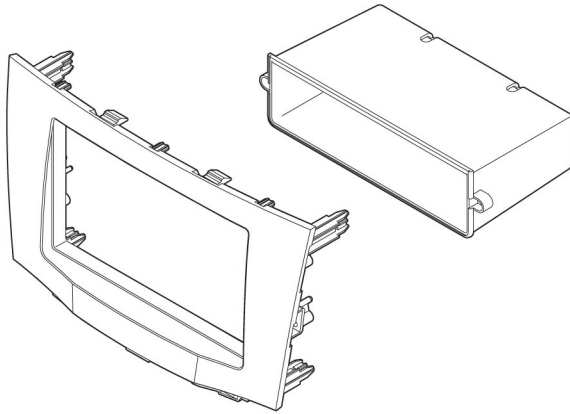


CT23SZ04

1 or 2 Din Fitting Kit Suzuki Kizashi 2010>



INTRODUCTION / PRELIMINARY

This premium installation kit is for 2010-Up Suzuki Kizashi vehicles. Included are all the parts you need to mount your car stereo or CD player into your vehicle's dash. Refer to the individual instruction in this manual to remove your vehicle's factory radio and assemble the kit.

CAUTION

Disconnect your vehicle's negative battery terminal before the installation to help prevent electrical damage. We recommend the use of a volt/ohm meter over a test light to check wiring. A test light or grounded wire probe can cause damage to the vehicle's computer and/or diagnostic systems. Avoid all factory airbag wiring - airbags can accidentally deploy causing serious injury or death.

NOTES

- See your vehicle's instructions for any special tools your installation might require.
- Read all instructions accompanying your car stereo for proper wiring and mounting instructions.

2010-UP SUZUKI KIZASHI

1. Open the pocket door that is located under HVAC controls.
2. Using a panel removal tool, unclip the HVAC controls starting from the bottom and working your way up. Disconnect the wire harness from the back of the controls and remove unit.
3. Locate the (2) screws under the factory stereo, towards the back of the unit, and extract them using a Phillips head screwdriver.
4. Unclip the factory stereo, disconnect all harnesses and remove.

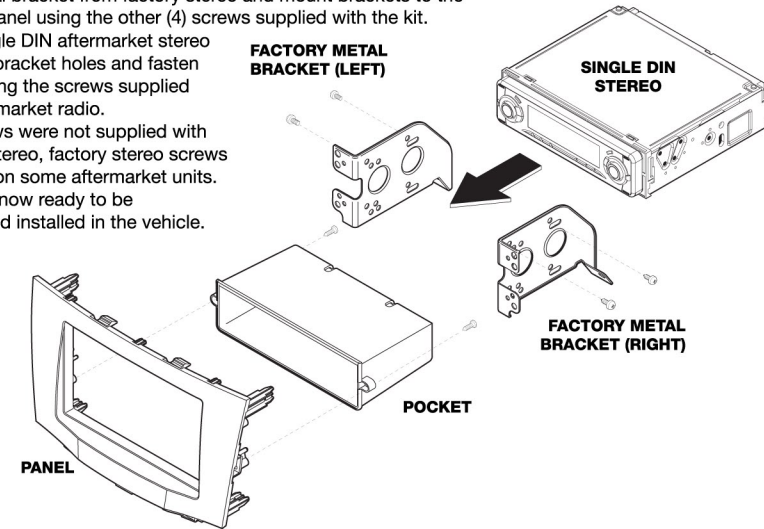
MOUNTING THE STEREO

SINGLE DIN-ISO MOUNT

1. Mount the pocket to the panel using the (2) small screws supplied with the kit.
2. Remove metal bracket from factory stereo and mount brackets to the back of the panel using the other (4) screws supplied with the kit.
3. Align the Single DIN aftermarket stereo to the upper bracket holes and fasten into place using the screws supplied with the aftermarket radio.

Note: If screws were not supplied with aftermarket stereo, factory stereo screws can be used on some aftermarket units.

4. The stereo is now ready to be connected and installed in the vehicle.

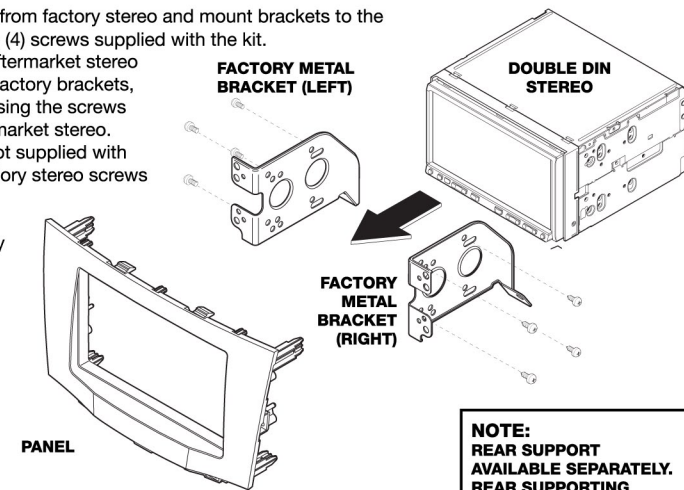


DOUBLE DIN-ISO MOUNT

1. Remove metal bracket from factory stereo and mount brackets to the back of the panel using (4) screws supplied with the kit.
2. Align the Double DIN aftermarket stereo between the mounted factory brackets, and fasten into place using the screws supplied with the aftermarket stereo.

Note: If screws were not supplied with aftermarket stereo, factory stereo screws can be used on some aftermarket units.

3. The stereo is now ready to be connected and installed in the vehicle.



NOTE:
REAR SUPPORT
AVAILABLE SEPARATELY.
REAR SUPPORTING
THE STEREO ADDS TO
THE INSTALLATION'S
STRUCTURAL INTEGRITY.