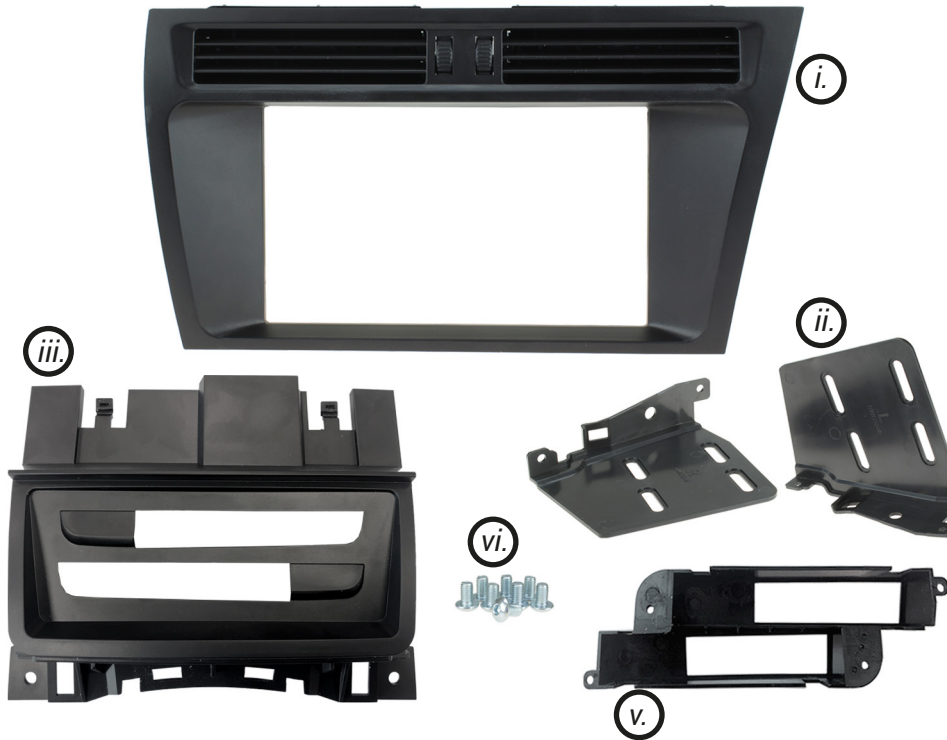




CT23AU13/L

Double DIN Fitting Kit for Audi (MMI) Vehicles



IN THE KIT

- i. Double DIN Fascia Panel*
- ii. Brackets
- iii. MMI Button Panel
- iv. MMI Button Bracket
- v. Hex Screws (x8)

**Note the fascia panel showcased throughout this instruction manual is for Right hand vehicles. The procedure is identical for Left hand vehicles, although you will need to use the CT23AU13L fascia panel during installation.*

APPLICATION

Note: Application data is subject to change at any time

- A4 (8K) 2008 - 2015
- A5 (8TF, 8F7, 8TA) 2008 - 2015

RECOMMENDED TOOLS

- Panel Removal Tool
- Pick Tool
- Screwdriver
- 8mm Socket Wrench

FEATURES

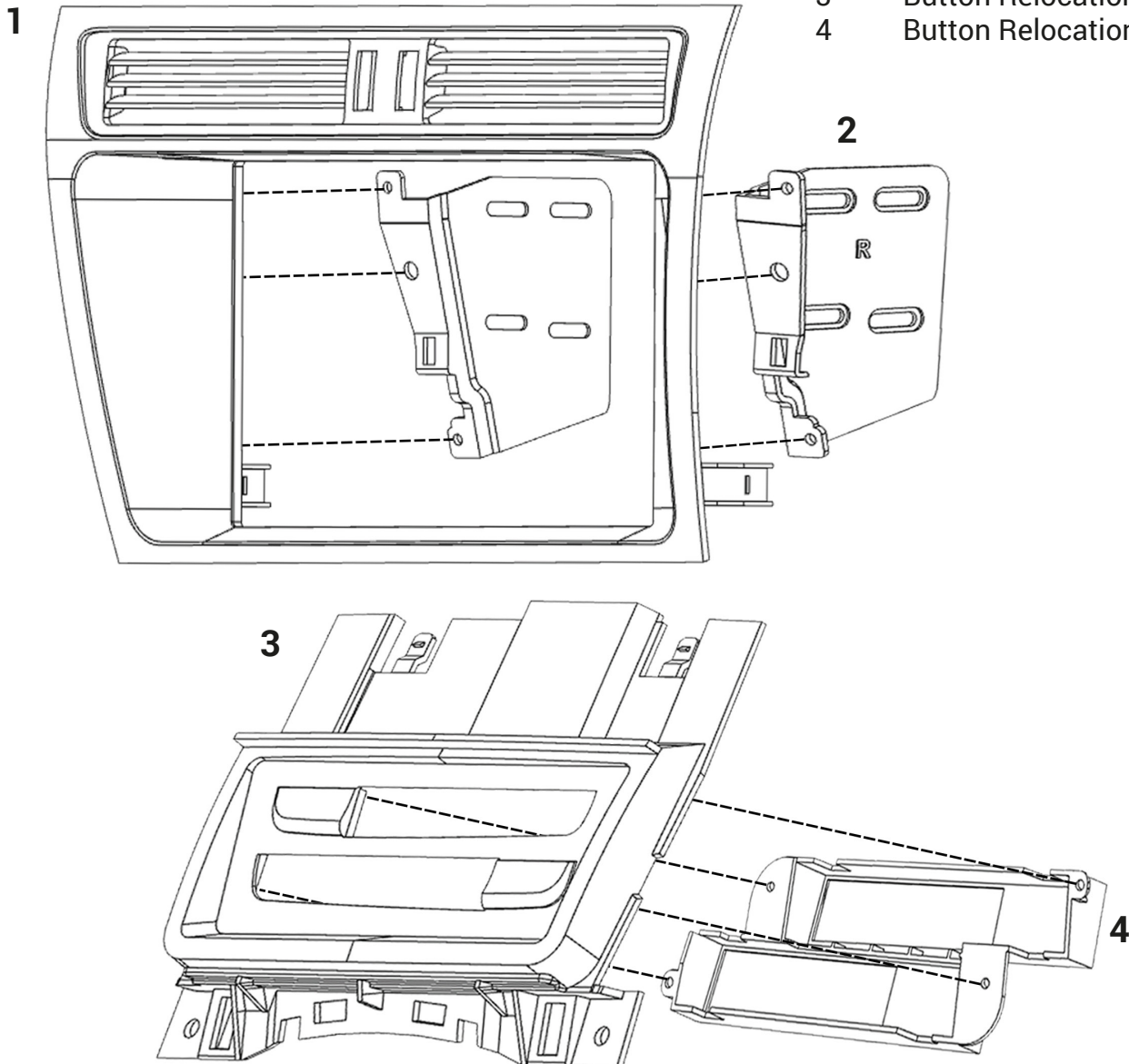
- Allows for the installation of a double DIN aftermarket stereo
- Includes mounting brackets and fitting accessories
- Finished in matt black to match vehicle dashboard

DISCLAIMER

The information provided in this document is subject to change without notice due to manufacturer changes and/or improvements to the product/s. This instruction manual is based on documented data and research. The manufacturer of this product cannot be held responsible for any changes made to the vehicle by the manufacturer or damages that may occur through the installation of this product in accordance with the steps outlined herein.

OVERVIEW DIAGRAM

- 1 Double DIN Fascia Panel
- 2 Left/Right Brackets
- 3 Button Relocation Panel
- 4 Button Relocation Bracket



How to tell if your vehicle is 'MMI'



..... Audi with MMI



..... Audi without MMI

PRIOR TO INSTALLATION

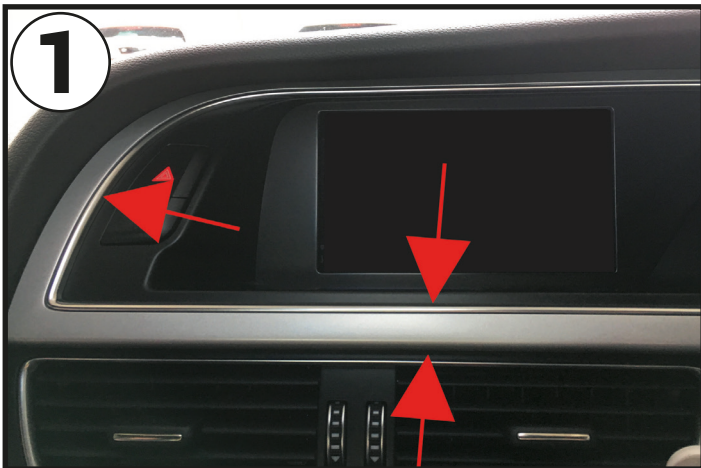
Read the manual prior to installation. Technical knowledge is necessary for installation. The place of installation must be free of moisture and away from heat sources. Please ensure that the correct tools are used during the installation to avoid damage to the vehicle or product. **Connects2 can not be held responsible for the installation of this product.**

INSTALLATION GUIDE



Audi MMI OEM dashboard. Ensure that appropriate areas of the dashboard are protected by a suitable material to avoid damage during installation.

DASH DISASSEMBLY



Begin by using a Bojo tool (or similar variant) to pry away and unclip the trim that surrounds the top screen. Once loose, disconnect the hazard switch connector and place to one side.



Using the Bojo tool again, pry away and unclip the bottom HVAC panel. Once loose, disconnect the panel connectors and place to one side.

DASH DISASSEMBLY



Using a pick tool, insert it in between the fan blades and release the spring clips. Once free, remove and place into storage.



Using a pair of radio release keys (e.g. CT22AU01) remove the head unit. When free, disconnect all the wiring.

You will then need to guide the MMI button connectors down toward the gear stick opening (*see step 5-6*).



Pull the gear stick cover up and then firmly pull on the centre gear panel. Disconnect both wires and put to one side.



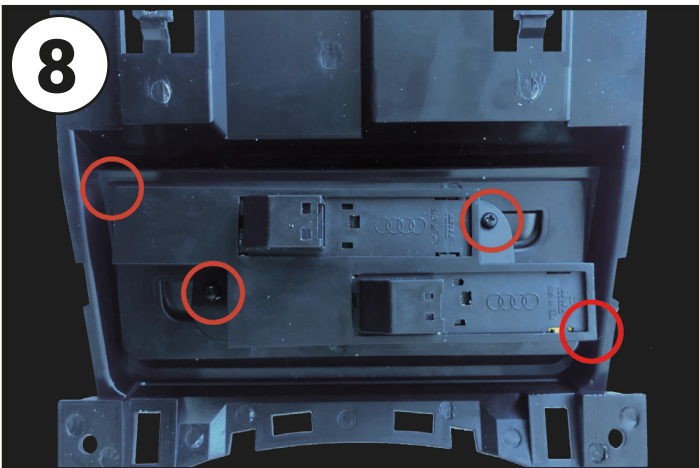
Remove 2x 8mm screws located toward the bottom of the ashtray panel (*see image reference*). When free, carefully lift and pull the ashtray pocket up out of the dashboard.

KIT ASSEMBLY

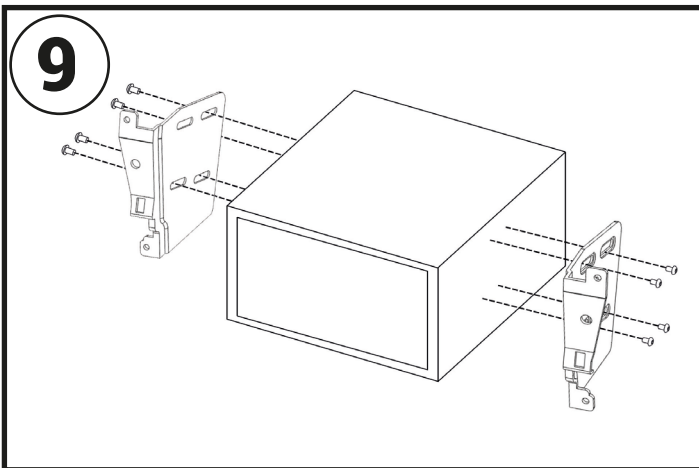


Take the OEM head unit in hand and gently remove the buttons by means of releasing the surrounding plastic.

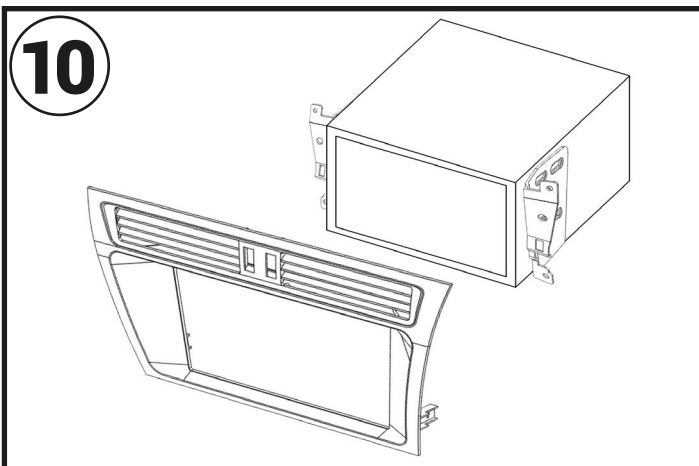
In addition, remove the two rubber grommets from the back of the OEM ashtray (*see image reference*).



Install the OEM head unit buttons into the new Button Relocation Bracket. Further proceed to install this button and bracket combination into the back of the new Button Relocation Panel (*see image reference*).



Attach the new Double DIN Brackets to the aftermarket head unit utilising the screws within the kit.



With the brackets attached to the head unit, offer the whole unit to the back of the new Double DIN Fascia. Use the plastic inserts at the bottom of both the Brackets and the Fascia as a guide.

Need help? Visit support.connects2.com/tickets/technical

KIT INSTALLATION



With the new Button Relocation Panel fully assembled, install it into the opening where the ashtray originally sat. Before fully placing, make sure to re-connect both MMI button connectors.



Once the Button Relocation Panel is seated properly, screw the panel down into place using the OEM screws.



With the Button Relocation Panel fully connected and in place, begin to re-introduce the gear panel back into the dashboard. Connect the relevant OEM wiring in the process.



After connecting all the necessary wiring, begin to install the new Double DIN Fascia with the aftermarket head unit into the dashboard. Firmly press down around the edges to ensure it clips into place - this will complete the installation.