

APPLICATIONS

KIA Spectra/Spectra 5 2007

CT23KI20

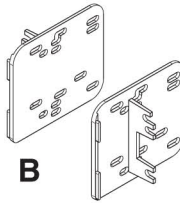
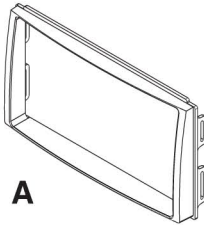
KIT FEATURES

- Double DIN Radio Provision
- Stacked ISO Mount Units Provision



KIT COMPONENTS

A) Double DIN Trim Plate B) Double DIN Brackets



TOOLS REQUIRED:

Small Flat Blade Screwdriver/ Panel Removal Tool

- Phillips Screwdriver



TABLE OF CONTENTS

Dash Disassembly

- KIA Spectra/Spectra 5 2007	1
------------------------------------	---

Kit Assembly

- Double DIN/Stacked ISO Mount Units Provision	2
--	---

<u>Final Assembly</u>	3
------------------------------------	---

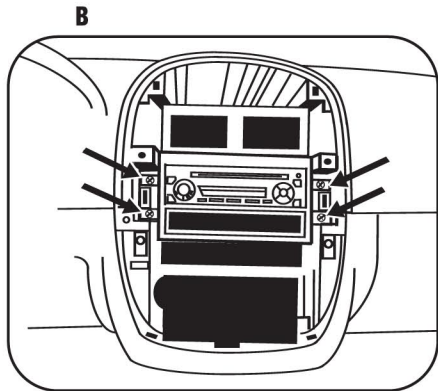
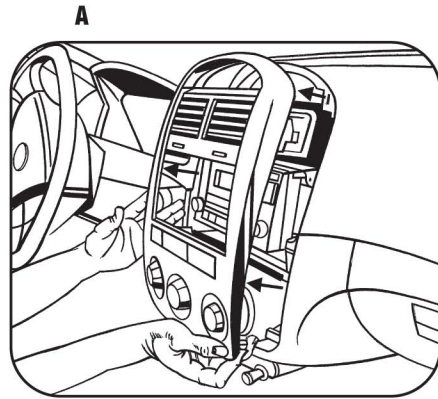
***Note:**

Refer also to the instructions included with the aftermarket radio.

KIA SPECTRA/SPECTRA 5 2007

- 1** Disconnect the negative battery terminal to prevent an accidental short circuit.
- 2** Unclip and remove the trim panel surrounding the radio and including the a/c vents. (Figure A)
- 3** Remove (4) Phillips screws securing the radio. Unplug and remove radio. (Figure B)

Continue to kit assembly.



DOUBLE DIN RADIO PROVISION STACKED ISO MOUNT UNITS PROVISION

**Note: Refer also to the instructions included with the aftermarket radio.*

- 1 Snap the Double DIN brackets to the inside edge of the Double DIN trim plate. (Figure A)
- 2 Slide the Double DIN radio or the stacked ISO mount units into the bracket/trim plate assembly and secure the radio or ISO mount units to the assembly using the screws supplied with the radio or ISO mount units. (Figure B)

Continue to final assembly.

