



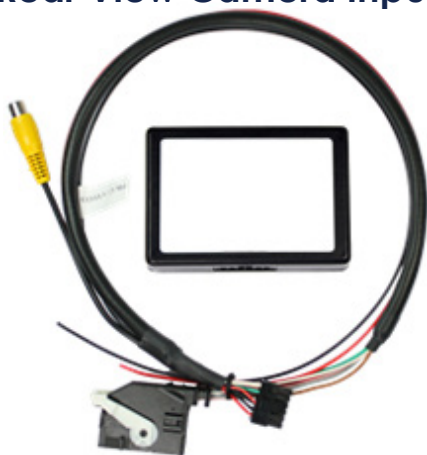
Connects²

...connecting to the aftermarket

Connects2Vision

CAM-VW7-AD

Rear View Camera Input



Application:

Volkswagen Passat (B6, 3C, B7, 3C36) 2005 - 2015,
Golf (MK5/6) 2003 - 2013, Touran 2003 - 2015, Transporter 2003 - 2015,
Polo (9N, 9N3, 6R) 2005 - 2014, Jetta 2005 - 2015, EOS (1F) 2006 - 2015,
Tiguan (5N) 2007 - 2015, Scirocco 2008 - 2015, Amarok (2H) 2010>,
Suran 2009>, Vento 2005 - 2011, Magotan 2005 - 2011,
Fusca 2005 - 2011, Touareg 2010>, UP! (VW120) 2011 - 2016

For Vehicles with MIB Composition Media
RN315/RNC510/RCD510 Head Units

www.connects2.com



CAM-VW7-AD

Add On Reverse Camera Interface for OEM Systems allows the addition of an after-market reverse camera to the OEM screen - for NTSC cameras only - Head unit must be enabled for rear camera input with CAM-VW4-AD or VW tech tool. On vehicles with OPS (optical parking system) the OPS control box must be coded to rear-view camera per diagnosis computer.

Only compatible with NTSC-cameras.

Prior to Installation

Read the manual prior to installation. Technical knowledge is necessary for installation. The place of installation must be free of moisture and away from heat sources. Please ensure you use the correct tools to avoid damage to the vehicle or product.

Connects2 can not be held responsible for the installation of this product.

Technical Support

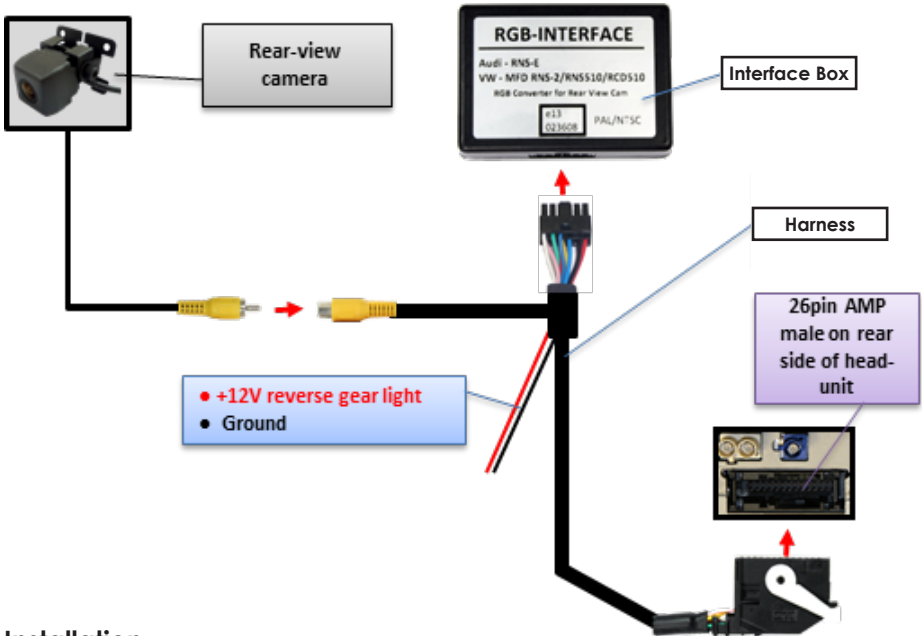
Connects2 want to provide a fast and suitable resolution should you encounter any technical issues. With this in mind, when contacting Connects2, try to provide as much Information as possible. This will speed up the process and help us to help you.

Please use our dedicated online technical support centre: support.connects2.com



Subscribe to our YouTube Channel for installation guides and tips... www.youtube.com/connects2

Connection Diagram



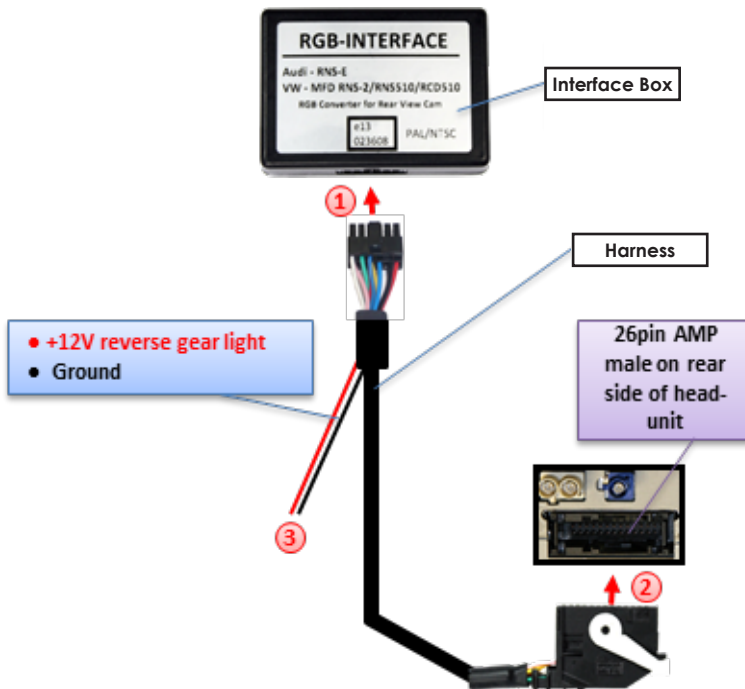
Installation

NB: Before installation, switch off ignition, disconnect the vehicle battery and remove the vehicle's head unit.

The interface is installed behind the vehicle's head unit.

Connecting the Interface-Box, Harness and Head-Unit

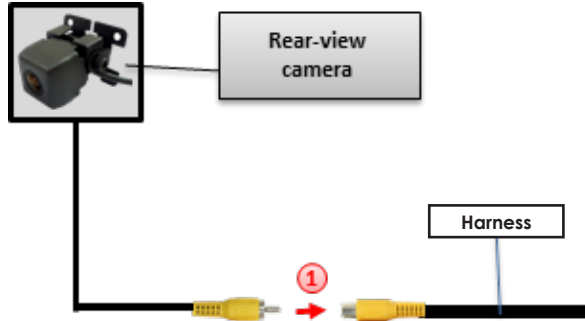
1. Plug the harness into the 12pin Molex of the Interface-box.
2. Plug the female 26pin AMP connector into the male 26pin AMP-connector of the head-unit.
3. Connect the red cable of harness to +12V reverse gear light and the black cable of harness to ground.



Note: If the 26pin AMP-socket of the head-unit is already occupied, the vehicle may have a factory TV-tuner. It must be removed to complete installation. To do so, disconnect the female 26pin AMP-connector of the factory harness and disconnect all wires from the factory TV-tuner.

Connections to Aftermarket Rear-View Camera

1. Connect the video RCA of the aftermarket rear-view camera to the female RCA connector of the supplied harness



NB: Only compatible with NTSC-cameras

The head-unit must be coded to rear-view camera per diagnosis computer or with the optional CAM-VW4-AD (available seperately) for RNS510, RNS315 and RCD510 radios

RNS510/810: If coding is done by diagnosis PC, code rear-view camera to “LOW” in controller 56 radio (not in controller 19 - CAN gateway). After coding, the vehicle needs to be locked to reach sleep mode.

RNS315: If coding is done by diagnosis PC, code to rear-view camera in controller 37 navigation (not in controller 19 - CAN gateway). After coding the vehicles needs to be locked to reach sleep mode.

Vehicles with OPS (optical parking system): If coding is done by diagnosis PC, code to rear-view camera in controller 10 park assistant 2 (not in controller 19 - CAN gateway). After coding the vehicles needs to be locked to reach sleep mode.



A series of horizontal dotted lines spanning the width of the page, intended for writing notes.



A series of horizontal dotted lines spanning the width of the page, intended for taking notes.

