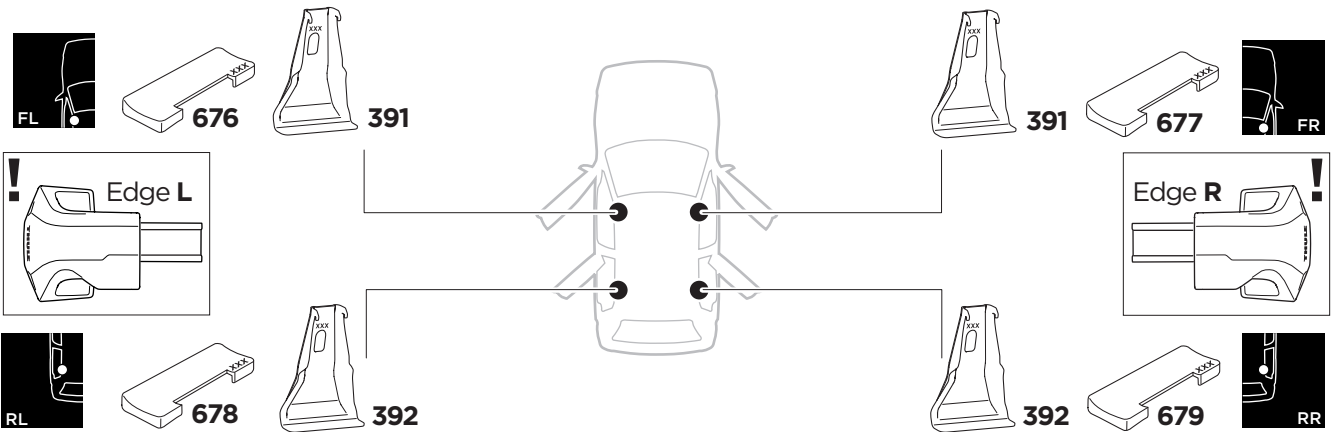
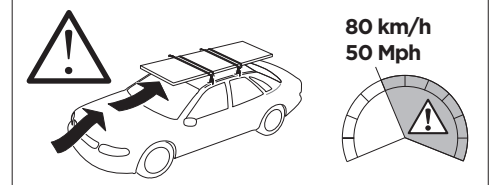
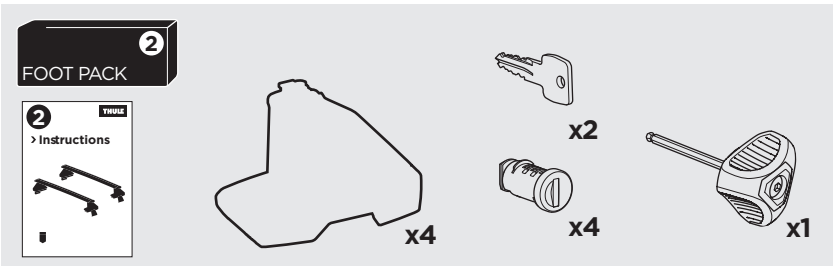
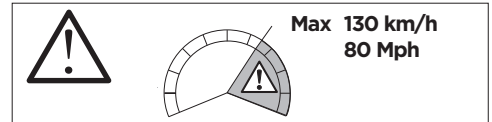
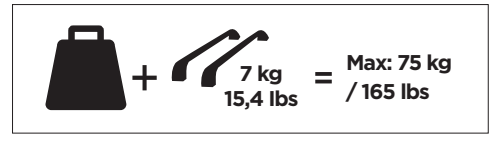
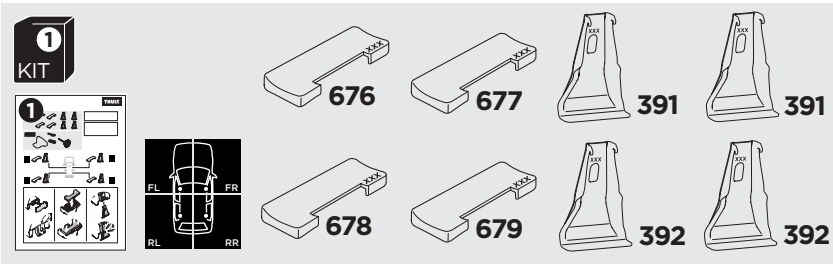


# 1

## Kit 145211

NISSAN Altima, 4-dr Sedan, 19-

ISO 11154-E





THULE WingBar Evo	THULE WingBar Edge	THULE WingBar	THULE SquareBar Evo	<b>Evo X (scale)</b>	<b>Edge X (scale)</b>
<b>NISSAN Altima, 4-dr Sedan, 19-</b>				<b>43,5</b>	<b>J</b>

THULE ProBar Evo	THULE SlideBar Evo	<b>X (mm/inch)</b>		
<b>NISSAN Altima, 4-dr Sedan, 19-</b>		<b>1086 mm / 42 3/4"</b>		



THULE WingBar Evo	THULE WingBar Edge	THULE WingBar	THULE SquareBar Evo	<b>Evo Y (scale)</b>	<b>Edge Y (scale)</b>
<b>NISSAN Altima, 4-dr Sedan, 19-</b>				<b>40,5</b>	<b>P</b>

THULE ProBar Evo	THULE SlideBar Evo	<b>Y (mm/inch)</b>		
<b>NISSAN Altima, 4-dr Sedan, 19-</b>		<b>1056 mm / 41 5/8"</b>		

	<b>W (mm/inch)</b>	<b>Z (mm/inch)</b>
<b>NISSAN Altima, 4-dr Sedan, 19-</b>	<b>670 mm / 26 1/4"</b>	<b>300 mm / 11 3/4"</b>

