

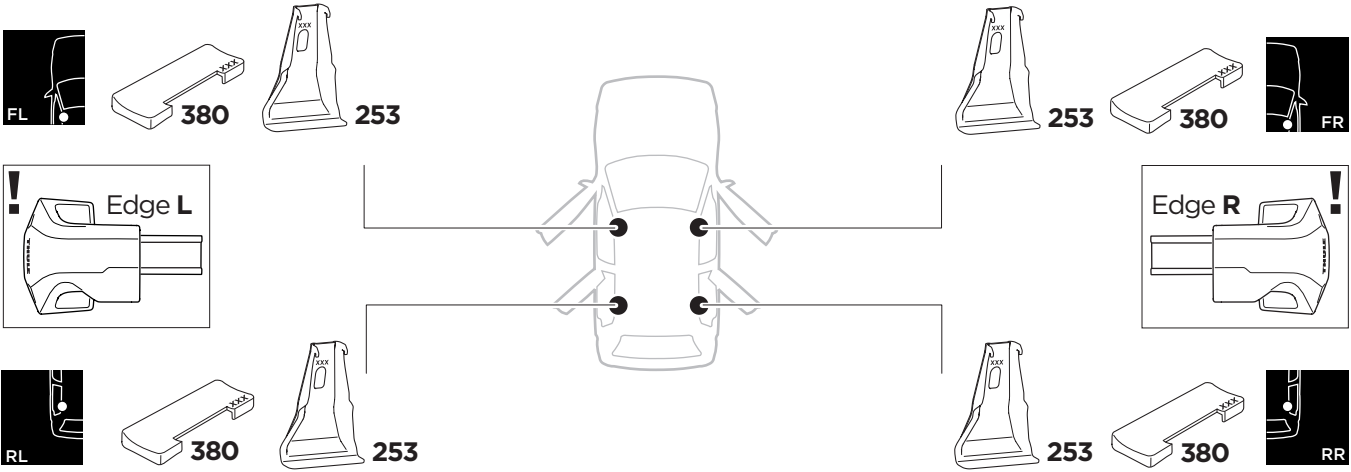
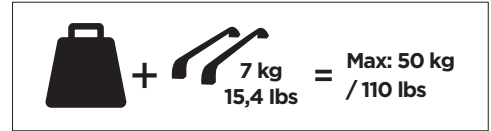
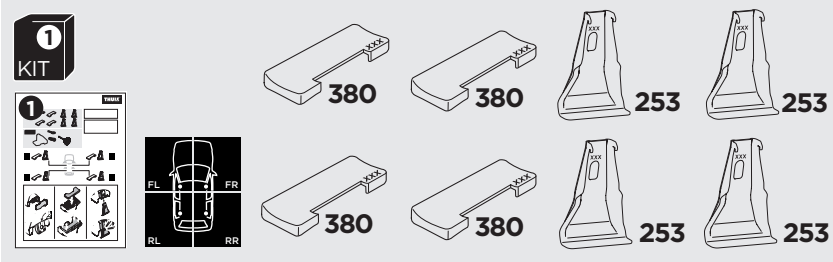
1

Kit 145097

FORD Grand C-Max, 5-dr MPV, 10-

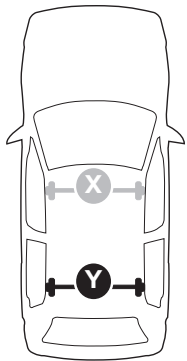


ISO 11154-E





| | | | | | |
|--|--------------------|---------------|---------------------|--------------------------|-----------------------|
| THULE WingBar Evo | THULE WingBar Edge | THULE WingBar | THULE SquareBar Evo | Evo X (scale) | Edge X (scale) |
| FORD Grand C-Max, 5-dr MPV, 10- | | | | 37 | E |
| THULE ProBar Evo | THULE SlideBar Evo | | | | X (mm/inch) |
| FORD Grand C-Max, 5-dr MPV, 10- | | | | 1021 mm / 40 1/4" | |



| | | | | | |
|--|--------------------|---------------|---------------------|--------------------------|-----------------------|
| THULE WingBar Evo | THULE WingBar Edge | THULE WingBar | THULE SquareBar Evo | Evo Y (scale) | Edge Y (scale) |
| FORD Grand C-Max, 5-dr MPV, 10- | | | | 36 | G |
| THULE ProBar Evo | THULE SlideBar Evo | | | | Y (mm/inch) |
| FORD Grand C-Max, 5-dr MPV, 10- | | | | 1011 mm / 39 3/4" | |

| | W (mm/inch) | Z (mm/inch) |
|--|-------------------------|-------------------------|
| FORD Grand C-Max, 5-dr MPV, 10- | 700 mm / 27 1/2" | 680 mm / 26 3/4" |

