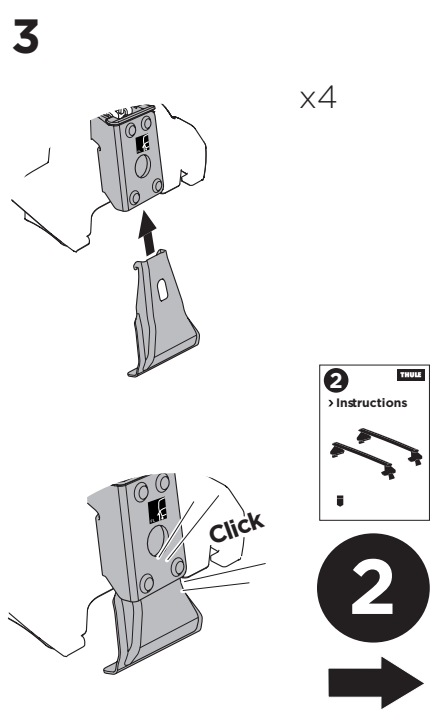
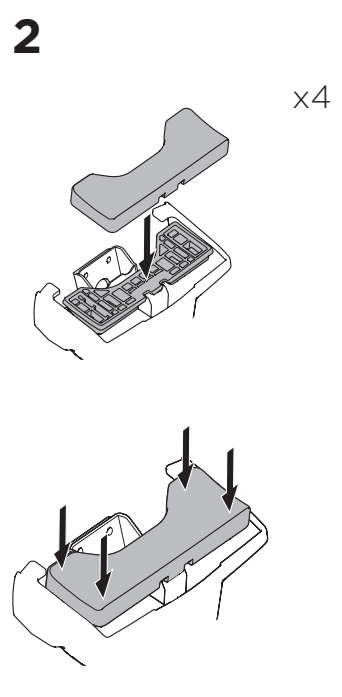
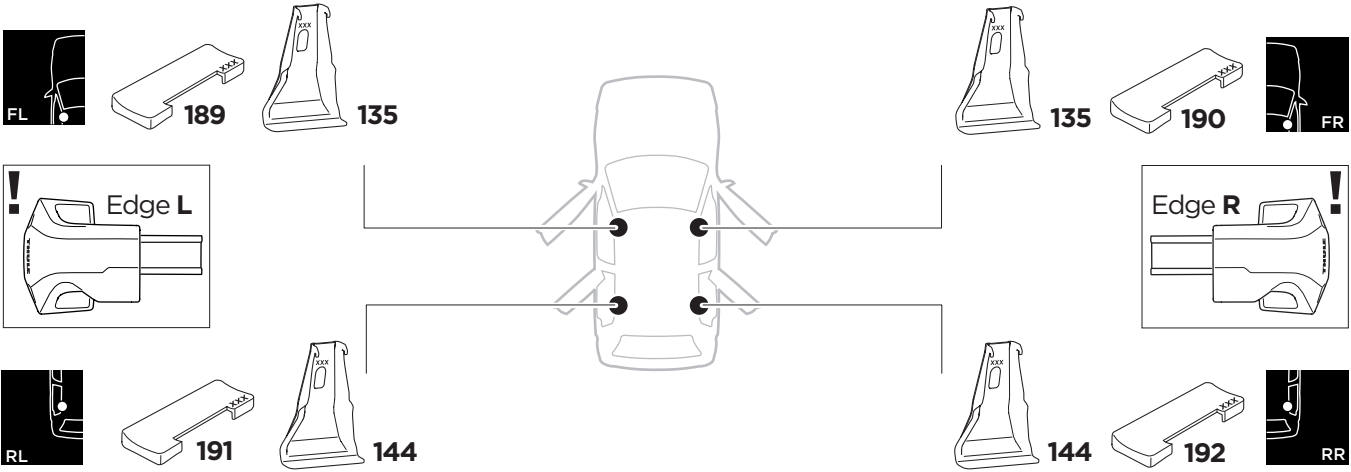
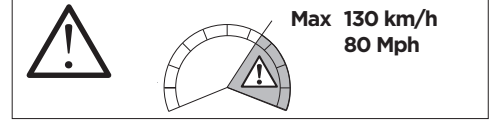
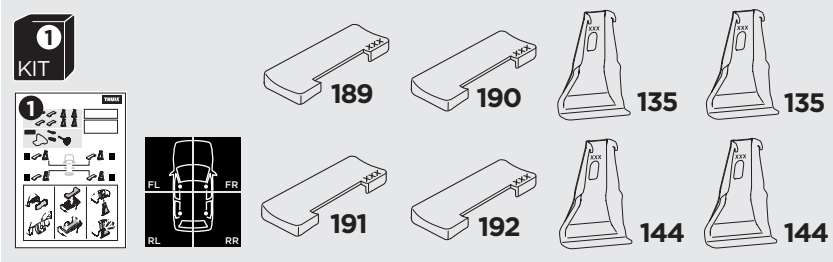


1

Kit 145076

OPEL Crossland X, 5-dr SUV, 17-
VAUXHALL Crossland X, 5-dr SUV, 17-

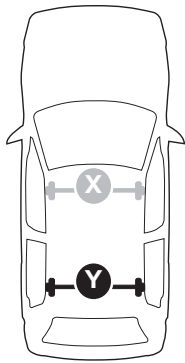
ISO 11154-E





THULE WingBar Evo	THULE WingBar Edge	THULE WingBar	THULE SquareBar Evo	Evo X (scale)	Edge X (scale)
OPEL Crossland X, 5-dr SUV, 17-				40,5	P
VAUXHALL Crossland X, 5-dr SUV, 17-				40,5	P

THULE ProBar Evo	THULE SlideBar Evo	X (mm/inch)
OPEL Crossland X, 5-dr SUV, 17-		1056 mm / 41 5/8"
VAUXHALL Crossland X, 5-dr SUV, 17-		1056 mm / 41 5/8"



THULE WingBar Evo	THULE WingBar Edge	THULE WingBar	THULE SquareBar Evo	Evo Y (scale)	Edge Y (scale)
OPEL Crossland X, 5-dr SUV, 17-				35	I
VAUXHALL Crossland X, 5-dr SUV, 17-				35	I

THULE ProBar Evo	THULE SlideBar Evo	Y (mm/inch)
OPEL Crossland X, 5-dr SUV, 17-		1001 mm / 39 3/8"
VAUXHALL Crossland X, 5-dr SUV, 17-		1001 mm / 39 3/8"

	W (mm/inch)	Z (mm/inch)
OPEL Crossland X, 5-dr SUV, 17-	725 mm / 28 1/2"	220 mm / 8 5/8"
VAUXHALL Crossland X, 5-dr SUV, 17-	725 mm / 28 1/2"	220 mm / 8 5/8"

