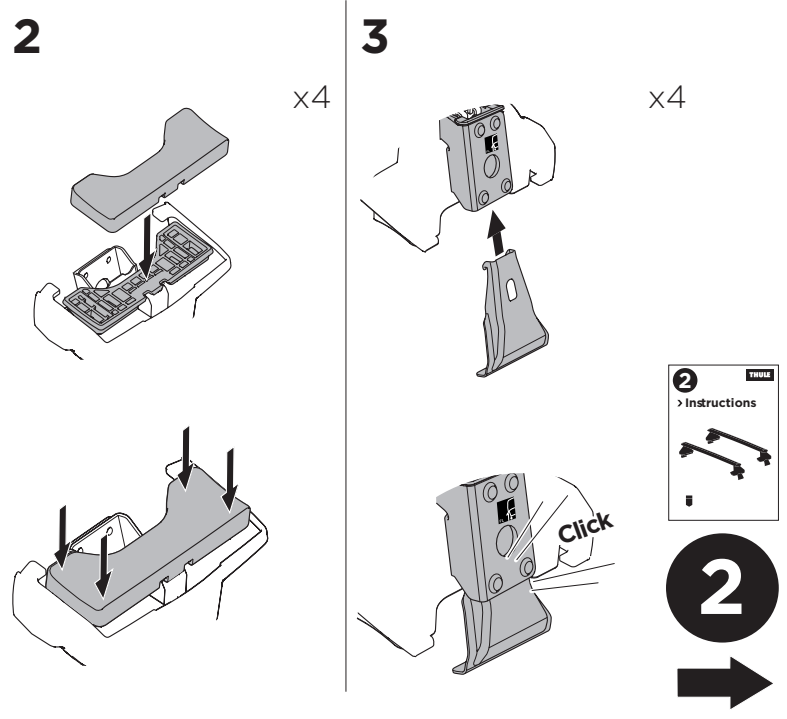
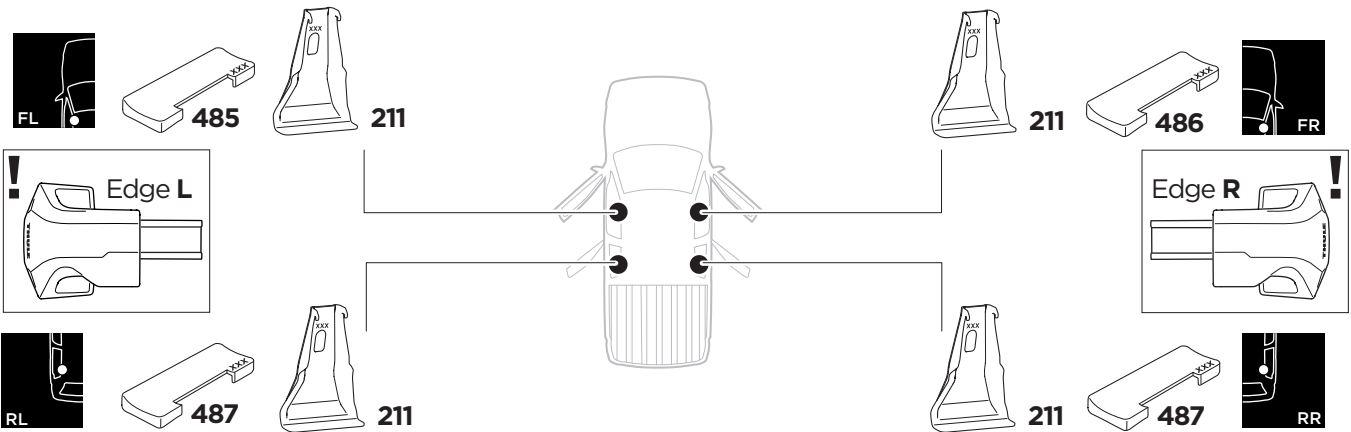
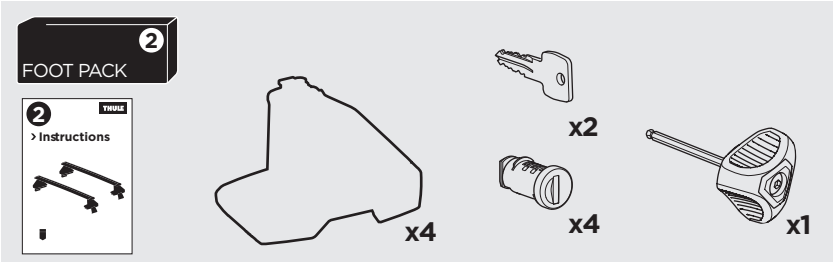
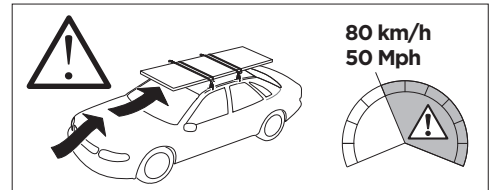
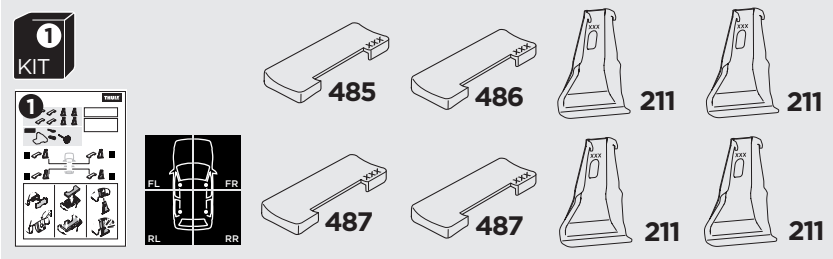


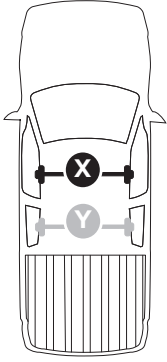
# 1

## Kit 145063

FORD Ranger, 4-dr Double Cab, 11-  
 FORD Ranger, 4-dr Super Cab, 11-  
 MAZDA BT-50, 4-dr Double Cab, 12-  
 MAZDA BT-50, 2-dr Single Cab, 12-

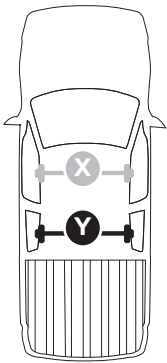
ISO 11154-E





| THULE WingBar Evo          THULE WingBar Edge          THULE WingBar          THULE SquareBar Evo | Evo X (scale) | Edge X (scale) |
|---|---------------|----------------|
| <b>FORD Ranger</b> , 4-dr Double Cab, 11-   | 47            | C              |
| <b>FORD Ranger</b> , 4-dr Super Cab, 11-  | 47            | C              |
| <b>MAZDA BT-50</b> , 4-dr Double Cab Cab, 12-   | 47            | C              |
| <b>MAZDA BT-50</b> , 2-dr Single Cab Cab, 12-   | 47            | C              |

| THULE ProBar Evo          THULE SlideBar Evo | X (mm/inch)       |
|--|-------------------|
| <b>FORD Ranger</b> , 4-dr Double Cab, 11-    | 1121 mm / 44 1/8" |
| <b>FORD Ranger</b> , 4-dr Super Cab, 11-     | 1121 mm / 44 1/8" |
| <b>MAZDA BT-50</b> , 4-dr Double Cab, 12-    | 1121 mm / 44 1/8" |
| <b>MAZDA BT-50</b> , 2-dr Single Cab, 12-    | 1121 mm / 44 1/8" |



| THULE WingBar Evo          THULE WingBar Edge          THULE WingBar          THULE SquareBar Evo | Evo Y (scale) | Edge Y (scale) |
|---|---------------|----------------|
| <b>FORD Ranger</b> , 4-dr Double Cab, 11-   | 45            | G              |
| <b>FORD Ranger</b> , 4-dr Super Cab, 11-  | 44,5          | H              |
| <b>MAZDA BT-50</b> , 4-dr Double Cab, 12-   | 44,5          | H              |
| <b>MAZDA BT-50</b> , 2-dr Single Cab, 12-   | -             | -              |

| THULE ProBar Evo          THULE SlideBar Evo | Y (mm/inch)       |
|--|-------------------|
| <b>FORD Ranger</b> , 4-dr Double Cab, 11-    | 1101 mm / 43 3/8" |
| <b>FORD Ranger</b> , 4-dr Super Cab, 11-     | 1096 mm / 43 1/8" |
| <b>MAZDA BT-50</b> , 4-dr Double Cab, 12-    | 1096 mm / 43 1/8" |
| <b>MAZDA BT-50</b> , 2-dr Single Cab, 12-    | -                 |

|   | W (mm/inch)      | Z (mm/inch)     |
|---|------------------|-----------------|
| <b>FORD Ranger</b> , 4-dr Double Cab, 11- | 700 mm / 27 1/2" | 235 mm / 9 1/4" |
| <b>FORD Ranger</b> , 4-dr Super Cab, 11-  | 600 mm / 23 5/8" | 185 mm / 7 1/4" |
| <b>MAZDA BT-50</b> , 4-dr Double Cab, 12- | 600 mm / 23 5/8" | 185 mm / 7 1/4" |
| <b>MAZDA BT-50</b> , 2-dr Single Cab, 12- | -                | 185 mm / 7 1/4" |

